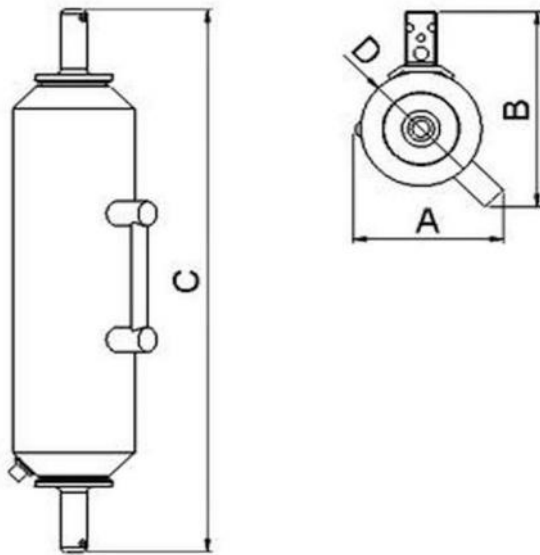




HYDRO-BIOS

Smart Sampling

Datasheet Niskin / PWS 5 l (436 305)



Plastic Water Sampler PWS 5 l

Niskin-Type Plastic Water Sampler PWS

features all plastic (PVC) design, consisting of a tube with two lids connected by a latex rubber tubing. The lids are kept open during descent, caring for a fair flushing of the sampling tube. The sampling tube is completely metal-free.

The PWS on the one hand is the standard oceanographic sampler to be used on Multi Water Sampler/ Rosette/Carousel arrays and on the other hand it can be used as single or series instrument connected to a hydrographic wire. When used on a wire, a messenger (not incl.), dropped down the wire from the surface, releases the end stoppers for closure. For the use of several PWS in a row a second messenger below the first sampler is used to actuate a series of samplers along the wire.

When operated as a single instrument without bottom weight, we recommend to use a Centered Mounting Rack (436 385) which cares for a vertical position of the sampler. Retrieve the water sample via the discharge cock/tube at the lower end of the sampler.

TECHNICAL DETAILS

length	640 mm (C)
width	185 mm (A)
height	210 mm (B)
diameter	140 mm (D)
sample volume	5 l
weight on air	3.6 kg (empty)
operational temperature	-2 to +60 °C
product ID	436 305



CHARACTERISTICS

- metall-free
- Niskin Type