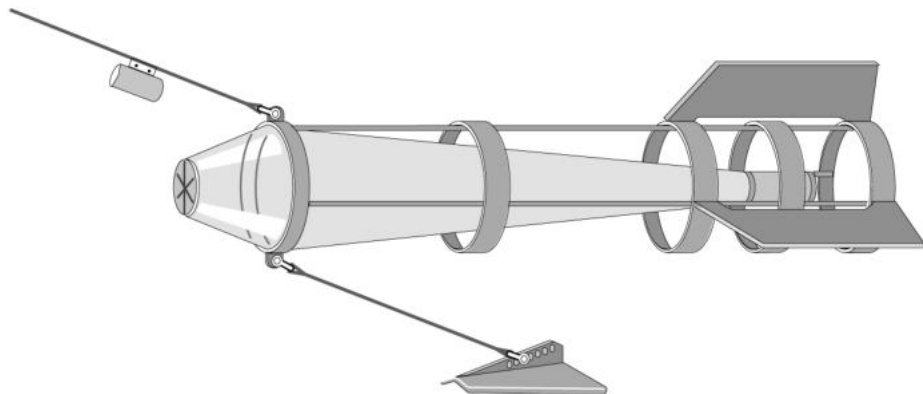


Am Jägersberg 5-7
24161 Altenholz
Germany

phone: + 49 - 4 31 - 3 69 60 - 0
fax: + 49 - 4 31 - 3 69 60 21
mail: info@hydrobios.de /
sales@hydrobios.de
web: www.hydrobios.de

HIGH SPEED PLANKTON COLLECTOR “NACKTHAI”

CATALOGUE NO: 438 410



Edition 11/21

© Copyright 2021 **HYDRO-BIOS** Apparatebau GmbH

All rights reserved. Reproduction in every form – even by way of abstracts – with explicit permission by **HYDRO-BIOS** Apparatebau GmbH only.

GENERAL DESCRIPTION

Special high speed samplers have been developed to catch active organisms like fish larvae with increased efficiency of plankton sampling.

The **HIGH SPEED PLANKTON COLLECTOR “NACKTHAI”** in its present version is the latest model meeting the requirements of modern sampling equipment:

- High towing speed: Based on the hydrodynamic design the sampler can be operated at towing speeds up to 8 knots.
- High sampling efficiency: Based on a large net surface relative to the mouth opening.
- Avoidance of attempts to escape: No bridles or other towing devices precede the mouth of the plankton collector, since these tend to “frighten” zooplankton into avoidance reactions.
- Easy handling: Due to the low weight the plankton collector can be handled by one operator even under rough weather conditions.
- Rugged design: The plankton collector is designed to survive rough treatment at sea even under bad weather conditions.
- Service-friendly: The design is simple enough to be repaired at sea.

SCOPE OF DELIVERY

1. Sturdy metal frame – sides to net open
length approx. 275 cm
diameter approx. 40 cm
diameter of aperture 20 cm
2. Ring Bond of Nylon webbing with zip fastener
3. Net Bag of synthetic material with zip fastener, conical
front opening 38 cm
back opening 11 cm
length 150 cm
4. Fixing ring for Net Bucket
with fastening stirrup for attaching to the end of a net
5. PVC-Net Bucket
with side window, covered with sieve gauze
6. V-Fin Depressor, 22 kg model
with bridle (steel rope) and shackles
7. Allen key 5 mm
8. Fork spanner 13 mm (2 pcs.)
9. Fork spanner 10 mm
10. Box spanner 8 mm

OPTIONAL

1. Mechanical Flow Meter
for counting the amount of water passing through the plankton collector

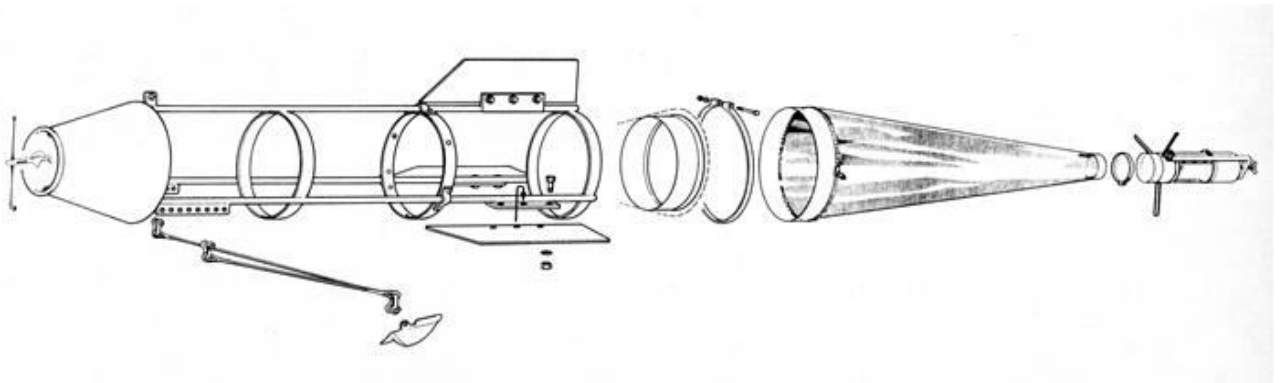
ASSEMBLY INSTRUCTION

The **HIGH SPEED PLANKTON COLLECTOR “NACKTHAI”** is delivered pre-assembled. Thus there is no need for extensive preparations to have it ready for operation.

1. Mount the three plastic fins with the supplied screws.
2. Bring the net frame into an upright position and zip in the net bag.
3. Adjust the fixing ring for the net bucket to the length of the net bag by simply unscrewing and pushing it up- or downwards. Make sure the net bag is neither too loose nor too tight.
4. Connect the revolving swivel to the fin of the V-Fin Depressor. The vertical traction of the V-Fin Depressor can be adjusted by selecting the connection hole at the depressor:
When connected to the foremost hole the depressor will create the lowest vertical traction.
When connected to the hindmost hole the depressor will create maximum vertical traction.
5. Connect the centre eye of the bridle to the revolving swivel.
6. Connect the two end eyes of the bridle to the foremost holes of the lower towing rails at the mouth side of the metal frame.
7. Connect the towing rope to the upper towing rail of the metal frame. Now the **HIGH SPEED PLANKTON COLLECTOR “NACKTHAI”** is ready for deployment.

OPTIONAL

8. Bind the Flow Meter to the metal eyes inside the mouth opening of the plankton collector if you decided to purchase the mechanical Flow Meter (HB 438 110)



OPERATION

To operate the **HIGH SPEED PLANKTON COLLECTOR “NACKTHAI”** a vessel with the following gear onboard is required:

- Winch with steel wire of approx. 8 mm diameter
- For operations from stern: A-frame
- For operations on starboard: Outrigger or sliding jib

PLEASE NOTE: For a safe handling the **HIGH SPEED PLANKTON COLLECTOR “NACKTHAI”** has to be deployed and recovered whilst the vessel is cruising with a speed of approx. 4 to 5 knots.

As it should be done with all offshore equipment the user should **check all screwing and all hose clamps regularly.**