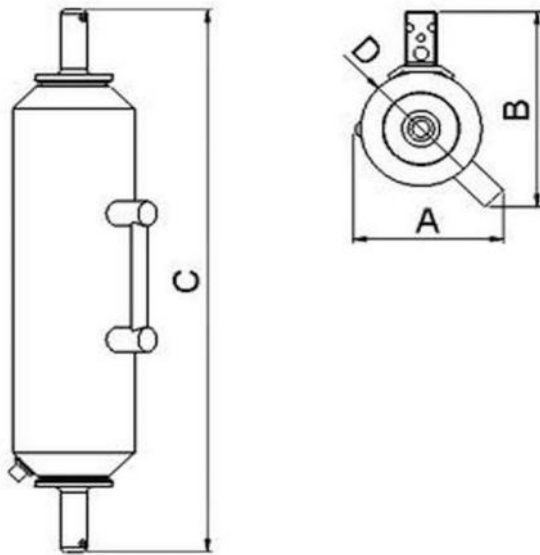




# HYDRO-BIOS

## Smart Sampling

### Datasheet Niskin / PWS 5 l ( 436 305 )



### Plastic Water Sampler PWS 5 l

Niskin-Type Plastic Water Sampler PWS

features all plastic (PVC) design, consisting of a tube with two lids connected by a latex rubber tubing. The lids are kept open during descent, caring for a fair flushing of the sampling tube. The sampling tube is completely metal-free.

The PWS on the one hand is the standard oceanographic sampler to be used on Multi Water Sampler/ Rosette/Carousel arrays and on the other hand it can be used as single or series instrument connected to a hydrographic wire. When used on a wire, a messenger (not incl.), dropped down the wire from the surface, releases the end stoppers for closure. For the use of several PWS in a row a second messenger below the first sampler is used to actuate a series of samplers along the wire.

When operated as a single instrument without bottom weight, we recommend to use a Centered Mounting Rack (436 385) which cares for a vertical position of the sampler. Retrieve the water sample via the discharge cock/tube at the lower end of the sampler.

## TECHNICAL DETAILS

<b>length</b>	640 mm (C)
<b>width</b>	185 mm (A)
<b>height</b>	210 mm (B)
<b>diameter</b>	140 mm (D)
<b>sample volume</b>	5 l
<b>weight on air</b>	3.6 kg (empty)
<b>operational temperature</b>	-2 to +60 °C
<b>product ID</b>	436 305



## CHARACTERISTICS

- metall-free
- Niskin Type