



## Automatic Water Sampler MULTI-LIMNOS

Limnological Multiple Water Sampler based on the LIMNOS-principle

### JUST LIKE THE LIMNOS, THE MULTI-LIMNOS WATER SAMPLER MEETS TWO ESSENTIAL DEMANDS OF LIMNOLOGISTS:

- ▶ Avoiding sample contamination from surface water
- ▶ Avoiding errors in analysis due to mishandling of the sample during transport and decanting



### ABOUT

The MULTI-LIMNOS with its programmable time release mechanism has been designed to automatically collect up to 10 water samples in water depths down to 30 metres.

The system is equipped with 10 Duran glass bottles of 1 litre capacity each, which can also be used as transportation and storage vessels. The bottles are screwed into modified LIMNOS headpieces and attached to the base plate.

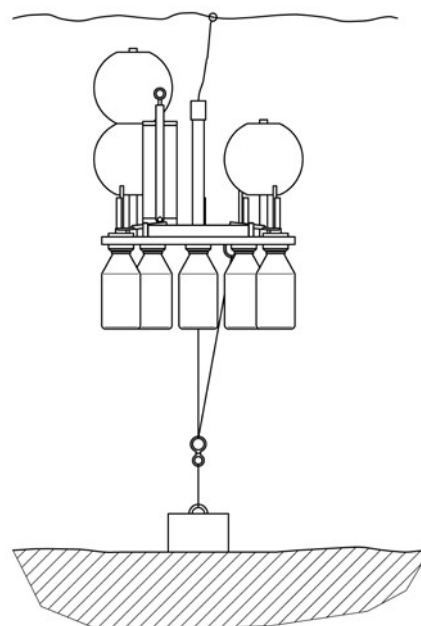
When the system is lowered to the desired water depth all bottles are closed. They are opened successively according to the preselected time intervals. When the bottles are filled with water, they are automatically closed by integrated check valves.

The MULTI-LIMNOS is equipped with a microprocessor-controlled Motor Unit, activating the bottles in pre-programmed time intervals in real-time (date and time).

The operation schedule is programmed via PC by using OceanLab 3 software.

Power supply is made by 3 long-time lithium batteries placed inside an external battery housing.

The bottom anchoring system offers the possibility to choose the water depth and, if required, change the depth with each operation. The MULTI-LIMNOS comes with a ball that floats on the water surface for keeping track of its positioning.



The state-of-the-art electronics, optimised in power consumption, are designed for ambient temperatures from -40°C up to +85°C.

Optionally a protective stainless steel array for conventional suspension e.g. for operating the instrument from a boat or ship is available.



### OPTIONS

- ▶ Protective stainless steel array for conventional suspension
- ▶ Special version made of high-tech plastics (PVDF/PTFE) e.g. for metal tracer analysis is available upon request.

### TECHNICAL DATA

<b>Dimensions</b>	Ø 60 cm x 83 cm
<b>Weight</b>	on air: approx. 27 kg (bottles empty) in water: approx. 7 kg buoyancy (bottles filled)
<b>Operational depth</b>	max. 30 metres
<b>Material</b>	Motor Unit and Battery Housing: Titanium Base plate: PVC Headpieces: PTFE Release mechanism: PVC, Titanium Bottom anchoring system: Stainless steel Sampling bottles: DURAN-glass

### ORDERING INFORMATION

<b>Products</b>	
<b>436 985</b>	<b>Automatic Water Sampler MULTI-LIMNOS</b> with 10 Duran glass bottles 1 litre, incl. 6 floats and bottom anchoring system (without bottom weight)
<b>Spare Parts</b>	
<b>436 145</b>	<b>Spare Duran glass bottles</b> 1 litre (10 pcs.)